

VIBRATORY FILLERS

E/SERIES

Single & Dual Lane Vibratory Fillers

The E/Series line of machinery is the logical solution in taking scoop and scale companies to the next level. Our economical linear net-weighter provides precise feeding and weighing of free-flowing and occasionally non free-flowing products such as coffee, popcorn, granola, and others. Rates of up to 12-15 containers per minute, depending on model and application can be achieved. These units come standard with a 3.5ft³ hopper, 3 liter weigh bucket and 4 locking casters. This series of feeder can precisely feed, weigh, and dispense a variety of products at accuracies of $\pm 1/2$ to 1%. The machine is backed by All-Fill's 1 year parts warranty.

Featuring a color touch screen HMI, stainless steel construction, and stepper motor driven weigh bucket, this economical series of linear feeders stands out against others in the market. With no pneumatic requirements, and a standard wall outlet voltage of 120V, the E/Series is the perfect machine for growing production needs at an economical price point.



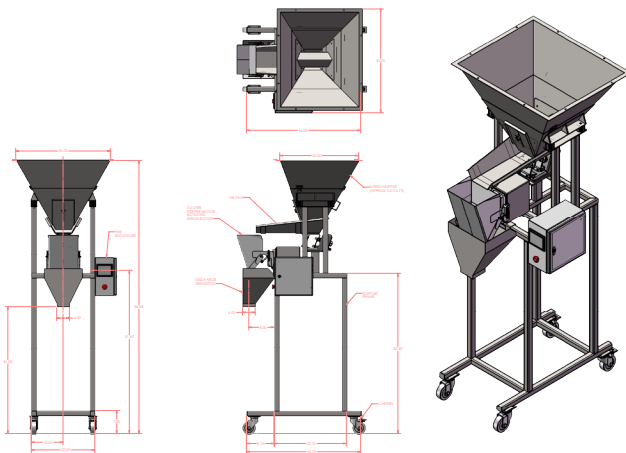
SPECIFICATION SUMMARY:

Construction:	All stainless steel with 4 locking castors
Controls:	Embedded controller, 5.00" Color touch screen HMI, foot pedal initiation
Control Features:	Individual control of all settings, alphanumeric product naming, self-adjusting bulk and dribble speed control, Containers per minute readout, automatic tare, batch count readout
Hopper Capacity:	Supply hopper capacity of 6 cu. ft., or 3.5 cubic feet standard, other options available: hopper extensions and covers
Weigh bucket sizes:	3 liter standard, or 7 Liter available
Max Fill Weight:	10 kg
Machine Dimensions:	E/Series 100: 30" wide x 36" deep x 86" high, E/Series 200: 43" wide x 36" deep x 86" high
Storage:	50 product Memory
Electrical Requirements:	120V /1ph/60HZ standard(other voltages available)
Pneumatic Requirements:	None required
Options:	Variety of fill accessories, nozzles or chutes, Electric dribble feed gate, heavy duty vibrator, additional lanes for increased production, product level control to signal infeed device, hopper cover, integration with OEM

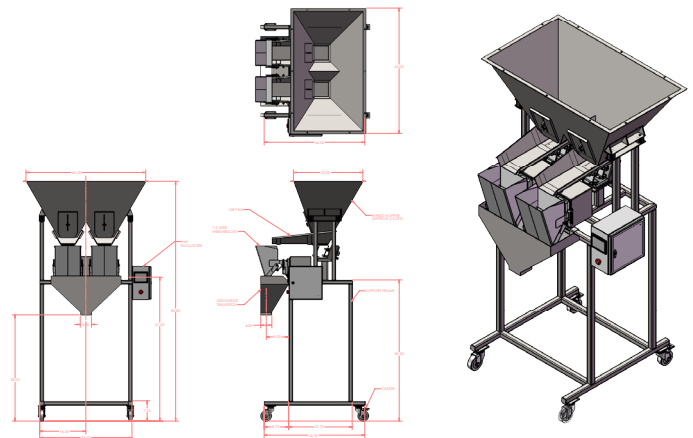
CONFIGURATIONS TO FIT YOUR NEEDS:

Economical linear net weighers that can fill up to 1800 containers per hour. Handling a variety of products such as delicate snack foods, granules all the way to metal hardware. This model can accurately weigh $\pm 1/2$ to 1% depending on application. Featuring a color touch screen HMI, stainless steel construction, and stepper motor driven weigh bucket, this economical series of vibratory fillers outperforms others in the market taking your filling operations to the next level.

VF/100/E



VF/200/E



ADDITIONAL MODEL DETAILS:



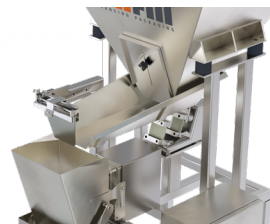
TWO LANE CONFIGURATION:

Our dual-lane model VF/200e doubles the rates achieved on the E/Series/100 by adding an additional weighing lane.



STANDARD FRAME:

Standard stainless steel frame with four lockable casters allows you to move the machine around your facility with ease.



ADDITIONAL PAN OPTIONS:

With an additional vibrating pan our VF/110E cascading machine allows you to better control the flow of irregular products.



E/SERIES GROSS SERIES:

Also available is the 101e with platform scale for bulk fill applications.

WORLD-CLASS SERVICE & SUPPORT:

We understand downtime and its effect on your bottom line. Packaging machinery is only as strong as its service and support system. If you run into challenges, All-Fill's Service team consists of 15 full time service employees with over 150 years of combined experience in the packaging industry. Our team can train, install, and troubleshoot any All-Fill machinery. We service domestically and in our international territories: Canada, Central and South America, India, China and Australia. Contact our Service team at Service@all-fill.com.

PARTS SUPPORT:

All-Fill machines are designed using the most innovative controls and the highest quality parts and components. All-Fill has an unmatched ability to identify and resolve issues that may arise with your machine. Our parts department provides quality support in a timely manner to reduce your downtime and stocks most parts for quick delivery. From mechanical assemblies, electronic components, tooling, machine accessories and software, we have the parts you need. Contact our Parts Department at AFI-parts@all-fill.com.

INTERNATIONAL INQUIRIES:

All-Fill's packaging machinery is available worldwide for almost any product and industry. Our more than 50 years of engineering expertise combined with our industry leading field support makes us a leader in the industry. We design, manufacture, install and service machinery with maximum accuracy and reliability. Our global presence means uncompromising service and support, no matter what or where your needs are. Reach out today to discuss your project with our international sales team. Contact us at info@all-fill.com.

www.AllFill.com • 610 524 7350 • 418 Creamery Way, Exton, PA • info@AllFill.com



Auger Fillers | Vibratory Fillers | Cup Fillers | Piston Fillers | Checkweighers | Vertical Form Fill & Seal Baggers | Labelers | Unscramblers | Cappers